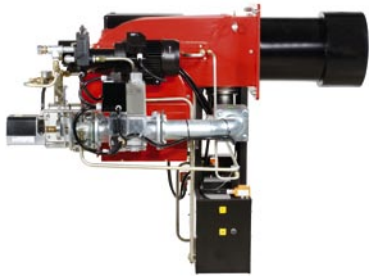




DUAL FUEL BURNERS FOR GAS/HEAVY OIL AT 2 STAGE PROGRESSIVE OR PID FULLY MODULATING



Dual fuel burners for gas and heavy oil at 2 stages progressive (hi-low flame) or PID fully modulating if optional modulation kit (digital type) and feeder (of temperature or pressure) are added.

Fan at high pressurization, high efficiency combustion head with adjustment and high flame stability, pilot flame for gas ignition.

Available versions for natural gas or LPG (to be specified in your order).

Gas train includes working valve, safety valve, minimum gas pressure switch, gas pressure filter-stabilizer and is supplied already assembled, connected and tested.

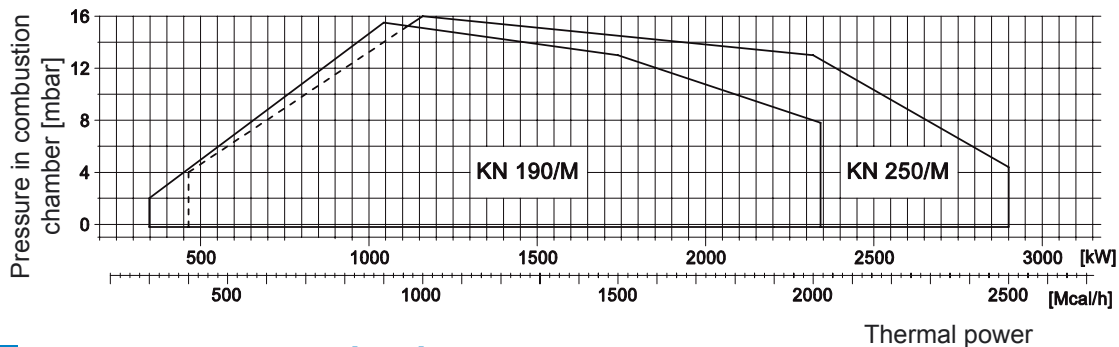
The adoption of strong metal components makes the burner durable also in heavy duty conditions.

Burners are supplied with nozzle, fuel switch, gasket for installation on boiler, flexible hoses, pre-heated line filter and thermostat, pre-heating tank with low density flanged resistances.

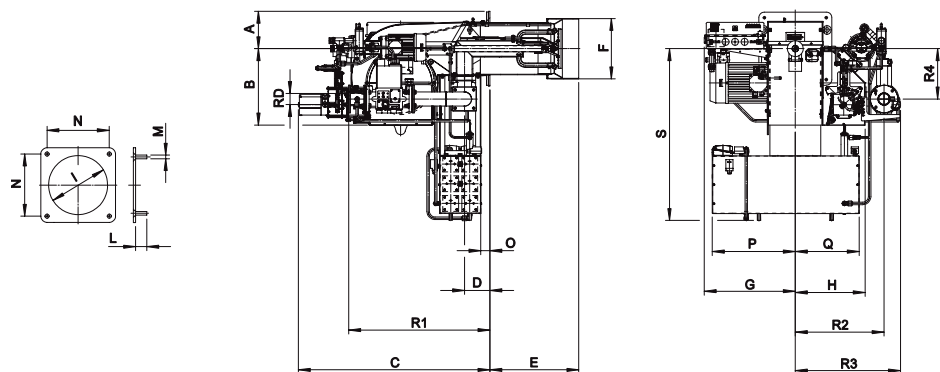
TECHNICAL DATA

MODEL		KN 190/M	KN 250/M
Flow-rate G20 (META-NO) *	Nm ³ /h	35/105-236	47/117-292
Flow-rate G31 (G.P.L.) *	Nm ³ /h	14/41-91	18-45-113
Flow-rate HEAVY OIL	Kg/h	30/90-206	40/100-250
Heat output *	Mcal/h	300/900-2019	400/1000-2500
Heat output *	kW	348/1044-2341	464/1160-2900
Motor	kW	5,5	7,5
Maximum absorbed power	kW	22	29
Fuel		NATURAL GAS (second family) - GPL (third family) o HEAVY OIL 5°-20° E a 50°C	
Electrical supply		3~400V-1/N~230V-50HZ	

FIRING RATES: Heat output – Combustion chamber pressure



OVERALL DIMENSIONS (mm.)



MODEL	A	B	C	D	E	F	G	H	I	L	M	N	O	P	Q	S	R1	R2	R3	R4	RD	RAMP weight
KN 190/M-D2"	180	453	1100	145	480	265	520	363	280	50	M14	300	93	403	403	790	504	509	650	260	D2"	22 Kg
KN 190/M-DN65	180	453	1100	145	480	265	520	363	280	50	M14	300	93	403	403	790	800	480	583	260	DN65	37 Kg
KN 190/M-DN80	180	453	1100	145	480	265	520	363	280	50	M14	300	93	403	403	790	820	480	590	260	DN80	47 Kg
KN 190/M-DN100	180	453	1100	145	480	265	520	363	280	50	M14	300	93	403	403	790	860	480	595	260	DN100	57 Kg
KN 250/M-D2"	180	453	1100	145	480	265	520	363	280	50	M14	300	93	403	403	790	504	509	650	260	D2"	22 Kg
KN 250/M-DN65	180	453	1100	145	480	265	520	363	280	50	M14	300	93	403	403	790	800	480	583	260	DN65	37 Kg
KN 250/M-DN80	180	453	1100	145	480	265	520	363	280	50	M14	300	93	403	403	790	820	480	590	260	DN80	47 Kg
KN 250/M-DN100	180	453	1100	145	480	265	520	363	280	50	M14	300	93	403	403	790	860	480	595	260	DN100	57 Kg

The illustrations and data here shown are indicative. F.B.R. Bruciatori S.r.l. reserves the right to bring, without any obligation of warning, any changes that would be appropriate to the continuing development of their products